



DUCKY

DC052-00CB00E-MA00

DC052-00CB00E-MA00

Duck Washbasin 40x52cm with Blue foot figures

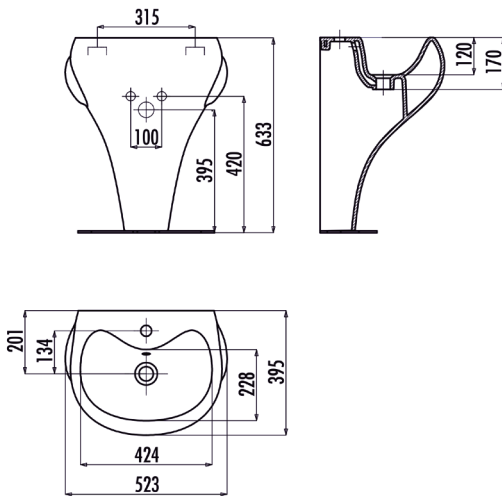
Qty of Box:

12

Weight:

22,95 kg

TECHNICAL DRAWING



SPECIFICATIONS



Creavit keeps its rights of making any change to the products.



Quality Management Systems



Customer Satisfaction Certificate



Environmental Management System



Occupational Safety & Health Management System



European Accreditation Certificate



Turkish Accreditation Certificate



Netherlands Accreditation Certificate



Russia Accreditation Certificate



Nigeria Accreditation Certificate