



DUCKY WASHBASIN

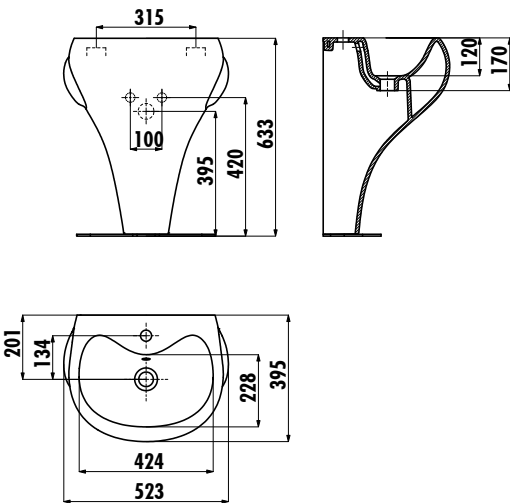
DC052-00CB00E-0000

DC052-00CB00E-0000 | Ducky Washbasin

Qty of Pallet: 12

Weight: 22,95 kg

TECHNICAL DRAWING



SPECIFICATIONS

Creavit keeps its rights of making any change to the products.



Quality Management Systems



Customer Satisfaction Certificate



Certificate Environmental Management System



Occupational Safety & Health Management System

LGA

Germany Accreditation Certificate

kiwa

Netherlands Accreditation Certificate

GOST - R

Russia Accreditation Certificate

UkrSEPRO

Ukraine Accreditation Certificate



Israel Accreditation Certificate



Nigeria Accreditation Certificate



European Accreditation Certificate



Turkish Accreditation Certificate